



INTRODUCING

OIL & STEEL
AERIAL PLATFORMS

Self-propelled aerial work platforms



- Why Spider lifts
 - Benefits
- Range (main features)
 - Gallery
 - Pricing
- Draft Proposal

Why Spider lifts

- Spider Lifts are used to lift men at heights to perform operations, such as:
 - ✓ *Maintenance*
 - ✓ *Painting*
 - ✓ *Cleaning*
 - ✓ *Roof repairing*
 - ✓ *Inspecting*
 - ✓ *Installing devices*
 - ✓ *Renovating*
 - ✓ *Tree cutting or trimming*
 - ✓ *Facade washing*
 - ✓ *Others....*

- Spider Lifts are :
 - ✓ *Easy to use, thanks to in-basket full controls and self- propelled movement*
 - ✓ *Silent, thanks to dual diesel+electric motor*
 - ✓ *Not invasive*
 - ✓ *Versatile*
 - ✓ *Time saving*
 - ✓ *SAFE!!!*

Benefits of using Oil&Steel spider lifts

1. The most versatile indoor platform in the market, can stabilize in narrow spaces
2. Can reach the most difficult spots thanks to unique 3D jib (18 and 23 m models)
3. Can work straight vertical along wall facades
4. Faster than others, more time saving
5. Extremely safe
6. Very compact, not invasive, allowing for carrying on business as usual while using them
7. Light and compact, can access any place
8. Italian made

Range

1. Octopus 14
2. Octopus 14 battery operated
3. Octopus 17
4. Octopus 18
5. Octopus 23



OCTOPUS 14



Octopus 14 is available in two versions:

- Capacity up to 200 kg without any restriction of movement
- Capacity up to 200 kg with jib opening restriction/capacity up to 120 kg and movement allowed to the jib

In both versions Octopus 14 is able to work in a restrained outrigger space.

Also available in a hydraulic version for markets outside the EEC and ANSI-compliant version.

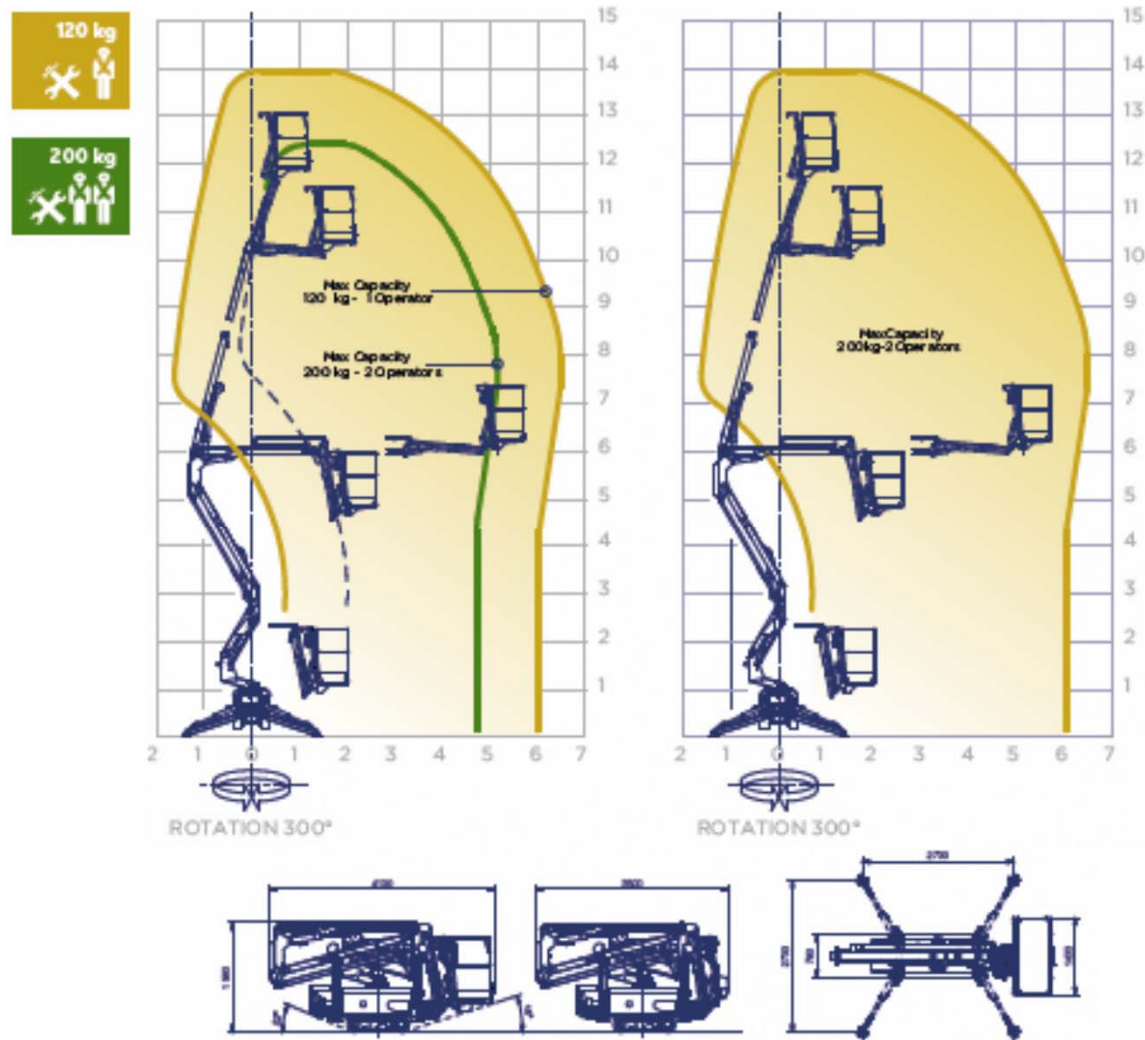
EASY TO HANDLE:

Octopus 14 is equipped (upon request) with a hydraulically- extendible tracked truck, which increases the machine stability in all handling operation (loading/unloading from the truck via ramps, off-road manoeuvres).

Budget Cost

€ 30.500 (base machine / diesel engine / CIF)

OCTOPUS 14



OCTOPUS 14

feature

Working height	14 mt
Basket height	12 mt
Working outreach	6,5 mt
Turret rotation	300°
Basket size	1400 x 700 x 1100 mm (aluminium)
Aerial Part commands	Proportional hydraulics
Travel and Stabilization commands	Electro-hydraulics
Stabilizers type	Lowerable hydraulic descent
Tracks carriage	Hydraulically-extendible
Gasoline engine	12 HP
Diesel engine (optional)	11 HP
Electric motor	2,2 Kw 110/220V
Max traveling speed	2,5 m / s
Dead weight	1700/1900 kg according to configuration

OCTOPUS 14 BATTERY



Octopus 14 battery has same features of Octopus 14 but it is operated by electric battery

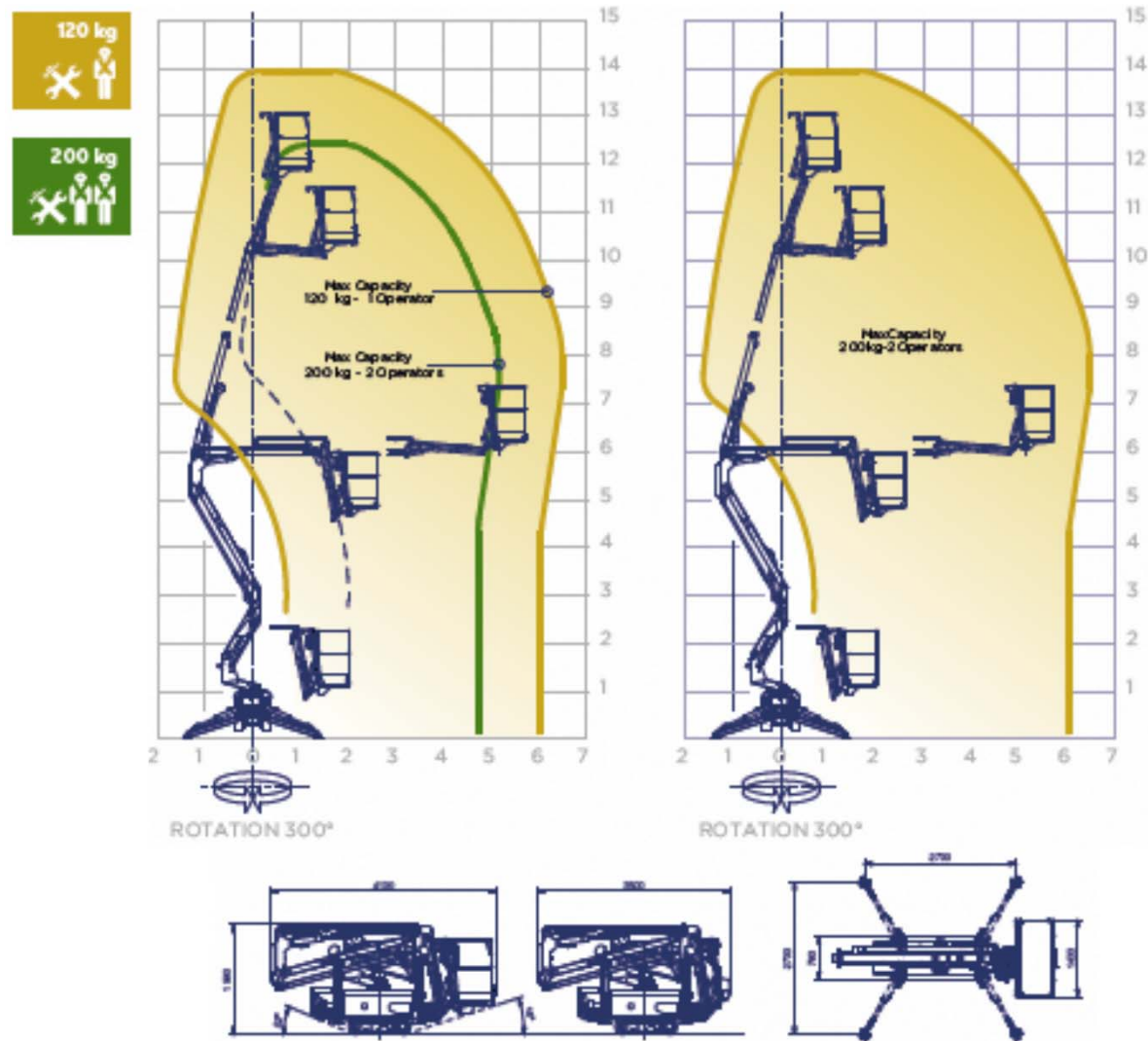
Battery characteristics:

- technology LiFePO4
- nominal energy 7,4kWh
- re-charge: 230Vac / 16A (as alternative 110Vac / 16A)
- engine nominal power 5kW
- ground moving speed 2.5km/h
- number of battery cycles (charge/ empty) ≥ 2000 cycles
- re-charge time (estimated) = 5h (with empty battery)
- re-charge time (estimated) = 3h (with 80% battery)

Budget Cost

€ 35.750 (base machine / CIF)

OCTOPUS 14 BATTERY



OCTOPUS 14 BATTERY

feature	item
Working height	14 mt
Basket height	12 mt
Working outreach	6,5 mt
Turret rotation	300°
Basket size	1400 x 700 x 1100 mm (aluminium)
Aerial Part commands	Proportional hydraulics
Travel and Stabilization commands	Electro-hydraulics
Stabilizers type	Lowerable hydraulic descent
Tracks carriage	fixed
Electric battery	LiFePO4 (nominal energy 7,4kWh)
Nominal engine power	5 kWh
Recharge type	230Vac / 16A (alternative 110Vac / 16A)
Recharge time	5 hours with empty battery pack
Max traveling speed	2,5 km / h
Dead weight	1700/1900 kg according to configuration

OCTOPUS 17

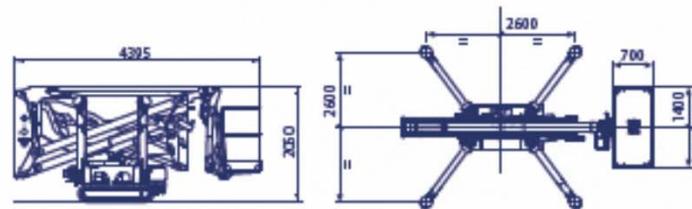
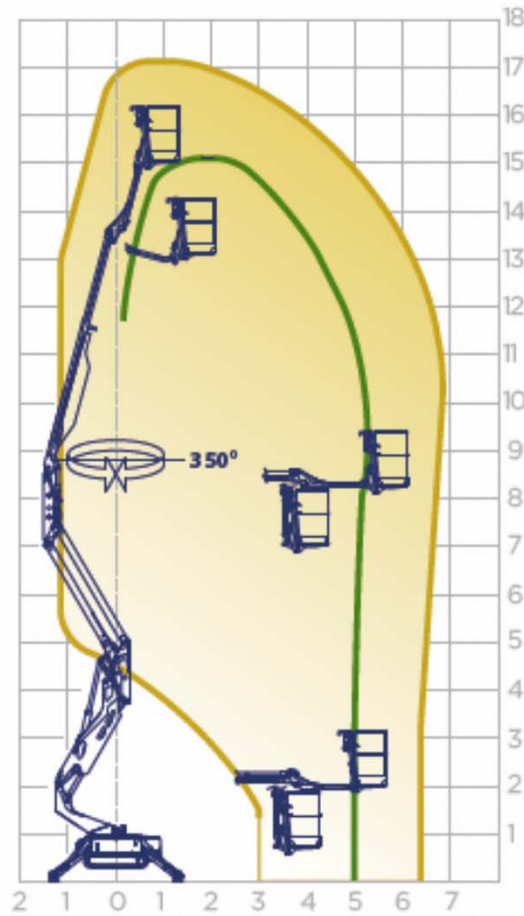


- the best option for two-man operations where overhead jobs need to be carried out simultaneously
- Ideal for renting due to extremely easy use (full hydraulic)
- fitted with a special load limiter with digital display which allows the operator to select the work area for either one or two operators before starting the work.
- can drive through narrow passageways due to its 78 cm width
- It is equipped with sensors that signal incorrect platform stabilisation

Budget Cost

€ 41.500 (base machine / diesel engine / CIF)

OCTOPUS 17



□ / 21

OCTOPUS 17

feature

Working height	17 mt
Basket height	15 mt
Working outreach	6,8 mt
Turret rotation	350°
Basket size	1400 x 700 x 1100 mm (aluminium / removable)
Aerial Part commands	Proportional hydraulics
Travel and Stabilization commands	Electro-hydraulics
Stabilizers type	Lowerable hydraulic descent
Tracks carriage	Hydraulically-extendible
Gasoline engine	12 HP
Diesel engine (optional)	11 HP
Electric motor	2,2 Kw 110/220V
Max traveling speed	1,5 km / h
Dead weight	1980 kg

OCTOPUS 18

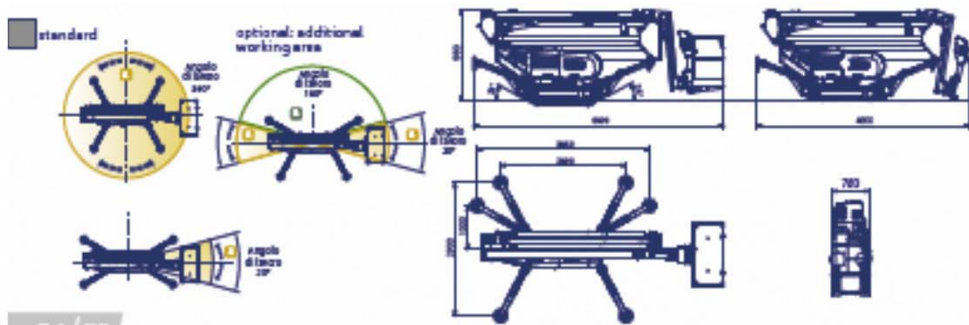


- Max stabilization freedom (3 possible ways)
- UNIQUE 3D Jib
- Straight vertical movement of the basket for 12 mt
- Unbeatable flexibility
- Extremely compact for easy access
- Independent extendible tracks
- Best price/performance ratio

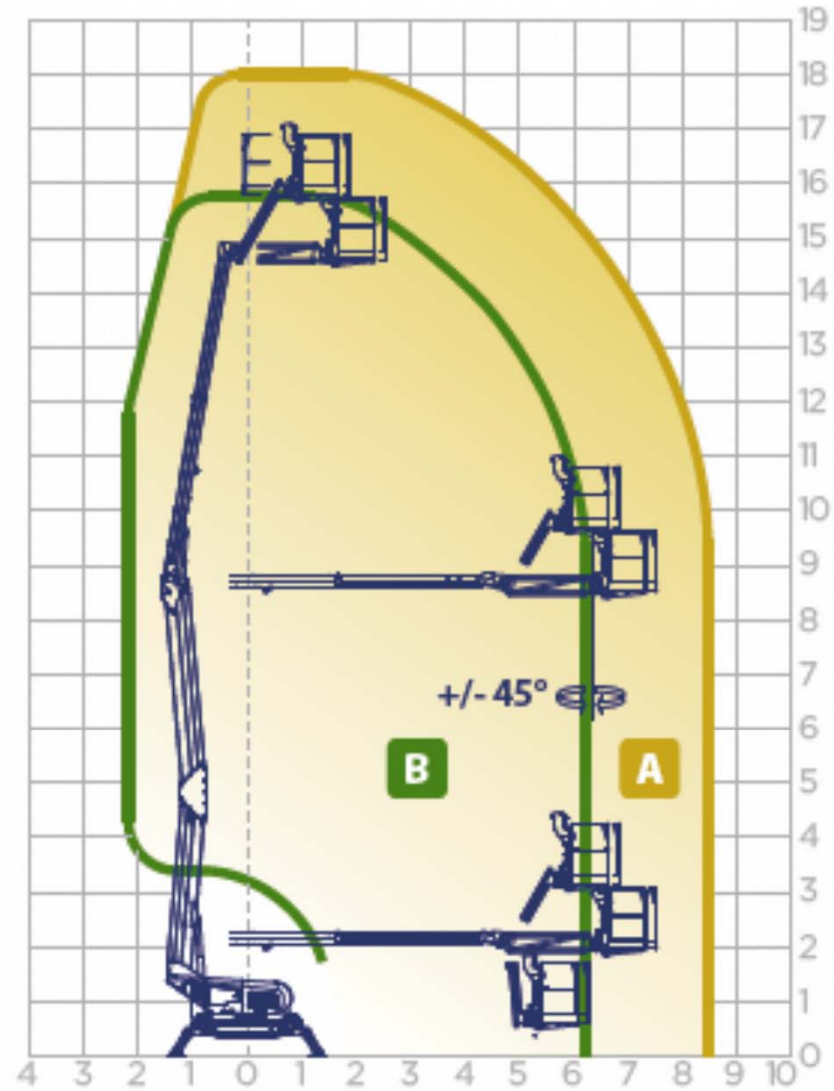
Budget Cost

€ 54.100 (base machine / diesel engine/ 3D Jib / variable stabilization / white tracks / CIF)

OCTOPUS 18



24 / 25



OCTOPUS 18

feature	item
Working height	18 mt
Basket height	16 mt
Working outreach	8,5 mt
Turret rotation	360°
Basket size	1400 x 700 x 1100 mm (aluminium / removable)
Aerial Part commands	Proportional hydraulics
Travel and Stabilization commands	Electro-hydraulics
Stabilizers type	Lowerable hydraulic descent
Tracks carriage	Hydraulically-extendible
Gasoline engine	13 HP
Diesel engine (optional)	11 HP
Electric motor	2,2 Kw 110/220V
Max traveling speed	1,5 km / h
Dead weight	2650 kg
Multiple work area	Yes (optional)
3D Jib	Yes (optional)

OCTOPUS 23



- Max stabilization freedom (3 possible ways)
- UNIQUE 3D Jib
- Straight vertical basket movement for 12 mt
- Unbeatable flexibility
- Extremely compact for easy access
- Independent extendible tracks
- Best price/performance ratio

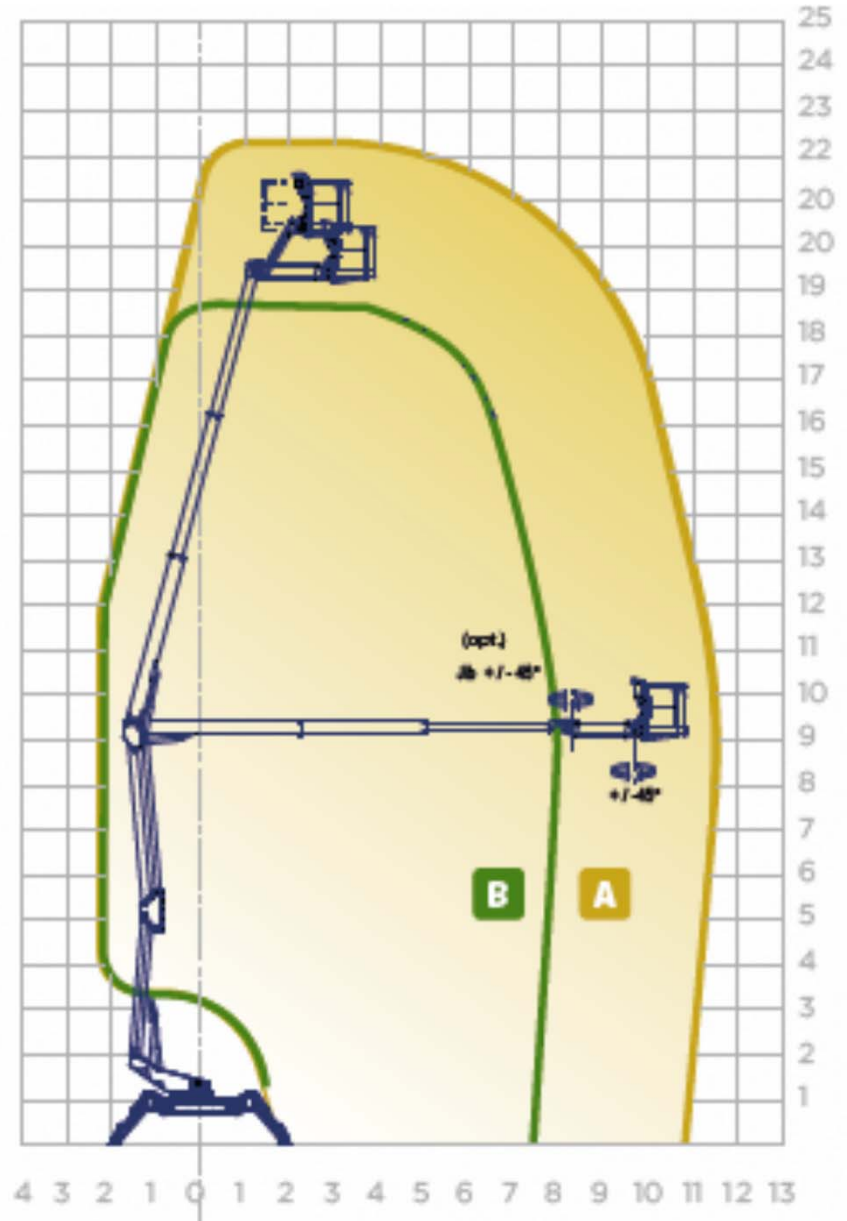
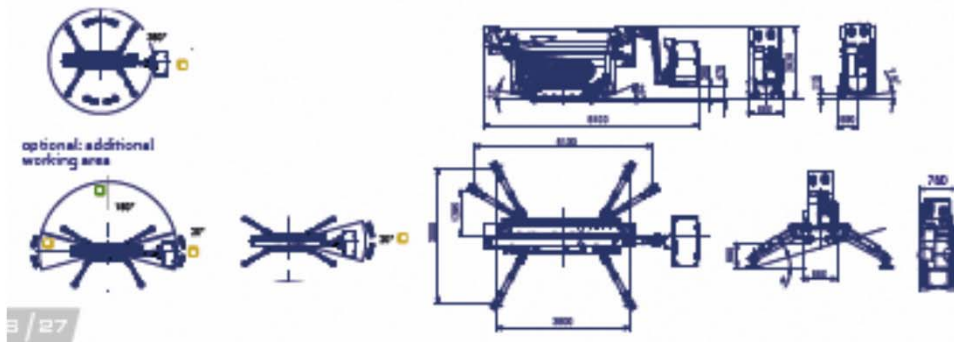
Budget Cost

€ 75.100 (base machine / diesel engine/ 3D Jib / variable stabilization / white tracks / CIF)

OCTOPUS 23



- Max stabilization freedom (3 possible ways)
- UNIQUE 3D Jib
- Straight vertical movement of the basket for 12 mt
- Unbeatable flexibility
- Extremely compact for easy access
- Independent extendible tracks
- Best price/performance ratio



OCTOPUS 23

feature	
Working height	22,3 mt
Basket height	20,3 mt
Working outreach	11,5 mt
Turret rotation	360°
Basket size	1400 x 700 x 1100 mm (aluminium / removable)
Aerial Part commands	Electro-hydraulics
Travel and Stabilization commands	Electro-hydraulics
Stabilizers type	Lowerable hydraulic descent
Tracks carriage	Independently hydraulically-extendible
Gasoline engine	13 HP
Diesel engine (optional)	17 HP
Electric motor	2 Kw 110/220V
Max traveling speed	1,5 km / h
Dead weight	3000 kg (according to configuration)
Multiple work area	Yes (optional)
3D Jib	Yes (optional)

Gallery

